

AVX-1.0

Owner's Manual

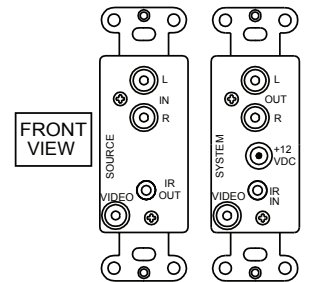
Universal Send & Receive
Audio/Video/IR Wall Plate Kit

AVX-1.0

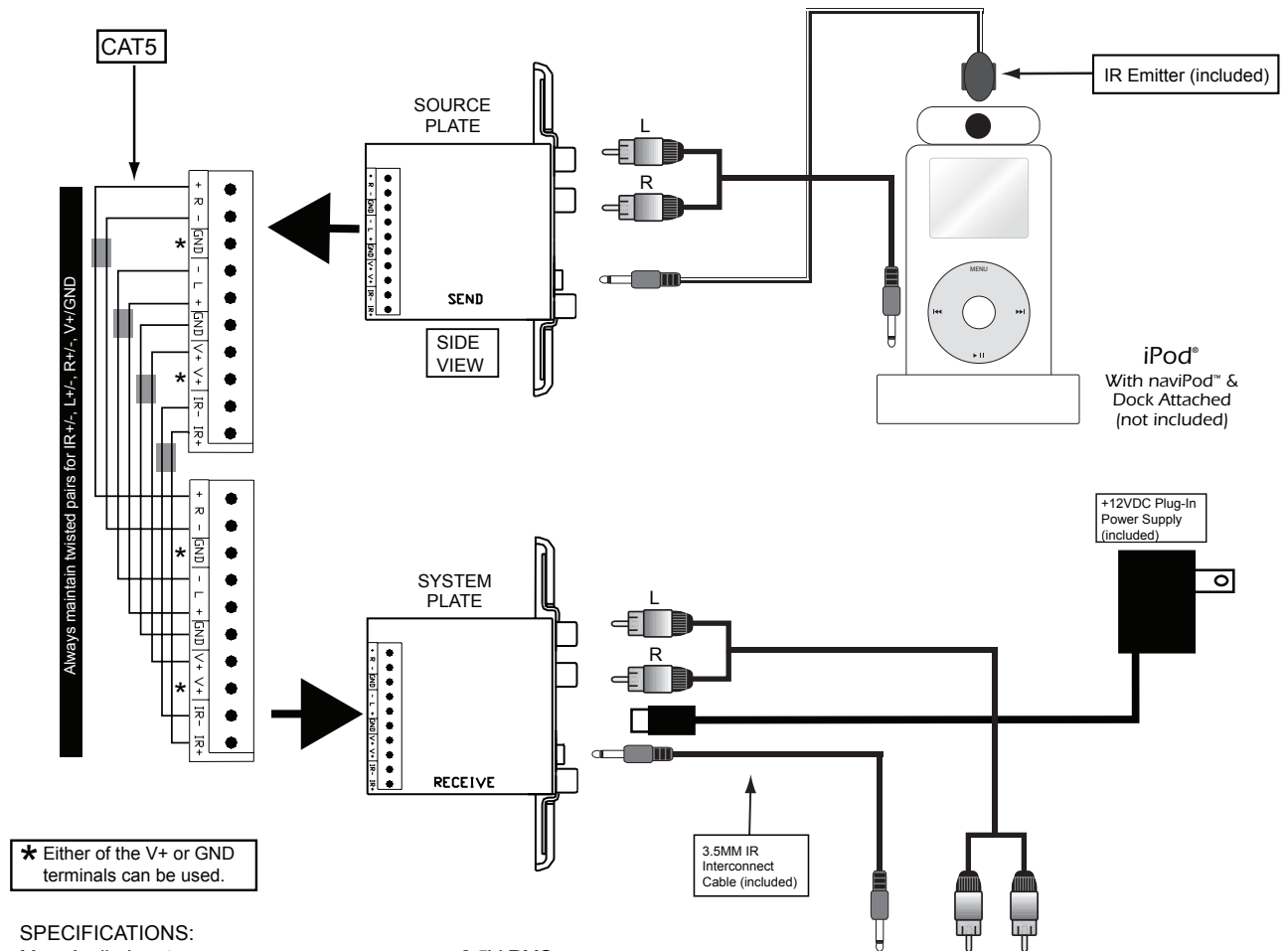
The AVX-1.0 Universal Send and Receive Wall Plate Kit provides an audio/video link from remotely located sources to the "head end" location where other AVV gear is located. When used with SpeakerCraft's MZC systems, the AVX-1.0 provides an excellent way to place any system source in any room of the house and still watch, listen, and control that source throughout the entire home. Balanced differential line driver circuits ensure noise-free connections from audio sources located up to 300 feet away! Composite video connections with F connectors allow coaxial cable to send video signals up to the same distance as the audio. The AVX-1.0's built-in IR interface allows control of the remotely located source, and works flawlessly with SpeakerCraft's IR distribution components and multi-room controllers.

Included in the kit are :

- (1) Source/Send Plate
- (1) System/Receiver Plate
- (1) 200ma +12VDC Regulated Power Supply
- (1) IR Emitter
- (1) 3.5 IR Interconnect Cable
- (2) Decora™ Style Frames



EXAMPLE- AVX-1.0 w/ iPod® & MZC



SPECIFICATIONS:

Max. Audio Input.....	2.5V RMS
Gain.....	+10dB at Source Plate
	-10dB at System Plate, 0dB Total
Frequency Response.....	+/- 0.5dB 20 Hz to 20 kHz
THD + Noise.....	<0.01%
IR Input/Output Levels.....	0 to +12V
IR Bandwidth.....	500kHz
Wire Requirements.....	CAT5, 4 Twisted Pair
Input Power.....	+12VDC, 40mA Regulated
Color/Style.....	White Decora™



SpeakerCraft®