

IRE-5.0 IR Blaster

INSTALLATION INSTRUCTIONS



ELT03500

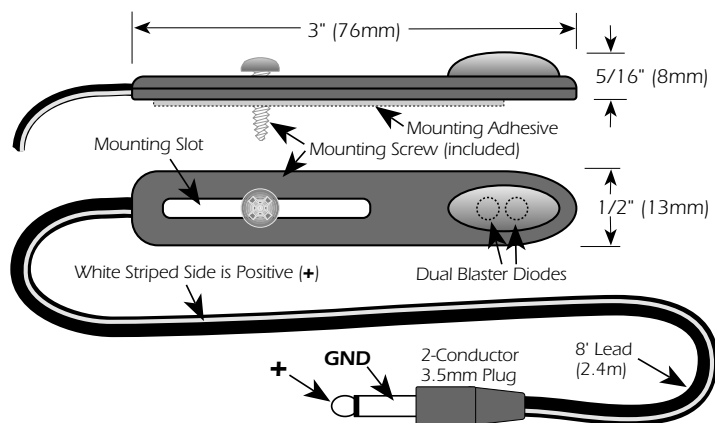
LIT03500 02/02

DESCRIPTION

The IRE-5.0 IR Blaster is a unique wand-shaped device containing two very high output IR emitters. The Blaster wand is designed in such a fashion as to allow the correct overhang (installer adjusted) for control of a stack of AVV components. It can be mounted above or below the components, or both, to ensure good coverage. It may also be located up to 35 feet opposite the controlled equipment for “across the room” operation, where conditions permit.

The dual emitters operate at different portions of the IR spectrum to ensure robust operation of the widest range of IR controlled products. Clear adhesive is used to mount the device, plus a small screw is also provided to ensure no “drop-off”. The ILC-1.0 IR Collector can be used to assist the IRE-5.0 Blaster in the control of stacked components, where necessary. Refer to the ILC-1.0 Instructions.

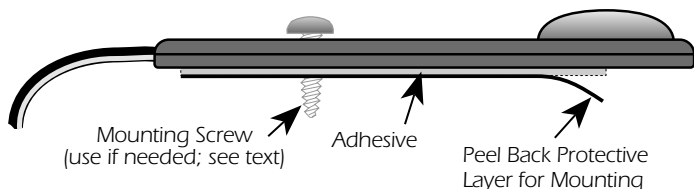
Fig. 1



ATTACHMENT

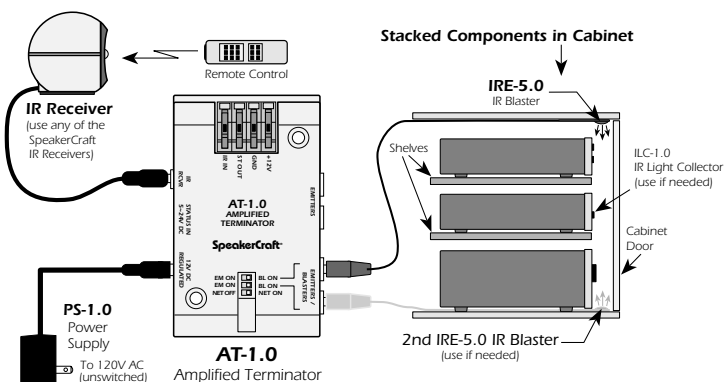
1. Arrange the components in the stack so that their front panels are even, to prevent one shadowing the other. Also, make sure that the front edges of any shelves are set back far enough to prevent IR blocking.
2. Before mounting the IRE-5.0 Blaster permanently, hold (or tape temporarily) in a position where the center of the curved surface has a 1 to 2 inch overhang above the components (see Fig. 3). Test and move the Blaster as necessary, until you have operation of all components.
3. Clean the mounting spot on the cabinet surface of any waxes, polishes, greasy substances, etc., before permanently mounting the Blaster.
4. The IRE-5.0 has adhesive tape on its bottom surface. Peel the protective layer off, exposing the adhesive (see Fig. 2).

Fig. 2



5. Place the IRE-5.0 on the spot determined in step 2 (see Fig. 3). Press and hold for several seconds to ensure maximum contact of the adhesive. If the material of the cabinet permits, use the small screw provided, driving it about midway through the slot in the wand. (The slot allows room for future adjustment, if needed). The screw ensures permanency in the event the adhesive does not adhere well on some surfaces or you do not wish to use the adhesive at all.

Fig. 3



CONNECTIONS

1. Plug the IRE-5.0 Blaster(s) into the EMITTERS/BLASTERS port(s) on the SpeakerCraft AT-1.0 Amplified Terminator (see Fig. 3).
2. Set the DIP switch(s) on the Terminator to the BL ON (Blaster ON) position.

CAUTION: The BL ON position sets the AT-1.0 to very high Blaster Power. Be sure to return the DIP switch(s) to EM ON (Emitter ON) position when driving normal emitters. **Failure to do so will smoke the emitters!**

3. Power the AT-1.0. Assuming other system connections have been properly made, the components will now respond to Blaster control.

Note 1: Usually only one IRE-5.0 Blaster is necessary to control an average stack of components. For larger stacks, or if you have a problem, use a 2nd IRE-5.0 Blaster mounted at the bottom shooting upward (see Fig. 3). Use the ILC-1.0 IR Light Collectors also, if necessary.

Note 2: If you are using the IRE-5.0 Blaster in an “across the room” location, be sure no intervening objects obstruct the IR signal.

Remember, you need a direct “line of sight” path between the Blaster and the controlled components at all times! Also, **do not use** the ILC-1.0 IR Light Collectors for “across the room” operation.

LIMITED 5-YEAR WARRANTY

SpeakerCraft warrants this product to be free of defects in materials or workmanship. This extends for five years from the date of purchase by the original consumer. Any products returned to SpeakerCraft and found to be defective by SpeakerCraft within the warranty period will be repaired or replaced, at SpeakerCraft’s option, at no charge. SpeakerCraft will not be responsible for the actual cost of installation or removal of the product, nor for any incidental or consequential damages. Some states do not allow the exclusion or limitation of incidental or consequential damages, so the above limitation may not apply to you. This warranty gives you specific legal rights. You may have additional legal rights that vary from state to state.

SpeakerCraft

SpeakerCraft • 940 Columbia Ave., Riverside, CA 92507 • Phone 1-800-448-0976 • Fax 888-599-9059

www.speakercraft.com