



PT-1.0 Passive Terminator

OWNER'S MANUAL

SpeakerCraft®

LIMITED 5-YEAR WARRANTY

SpeakerCraft warrants this product to be free of defects in materials or workmanship. This extends for five years from the date of purchase by the original consumer. Any products returned to SpeakerCraft and found to be defective by SpeakerCraft within the warranty period will be repaired or replaced, at SpeakerCraft's option, at no charge. SpeakerCraft will not be responsible for the actual cost of installation or removal of the product, nor for any incidental or consequential damages. Some states do not allow the exclusion or limitation of incidental or consequential damages, so the above limitation may not apply to you. This warranty gives you specific legal rights. You may have additional legal rights that vary from state to state.

SpeakerCraft®

SpeakerCraft ▪ 1650 Seventh Street, Riverside, CA 92507 ▪ Phone 1-800-448-0976 ▪ Fax 888-599-9059
www.speakercraft.com



PT-1.0 Passive Terminator

OWNER'S MANUAL

SpeakerCraft®

LIMITED 5-YEAR WARRANTY

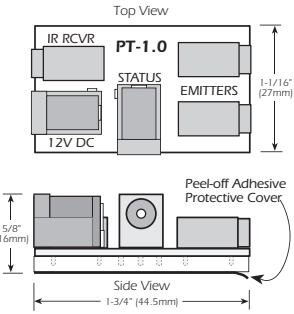
SpeakerCraft warrants this product to be free of defects in materials or workmanship. This extends for five years from the date of purchase by the original consumer. Any products returned to SpeakerCraft and found to be defective by SpeakerCraft within the warranty period will be repaired or replaced, at SpeakerCraft's option, at no charge. SpeakerCraft will not be responsible for the actual cost of installation or removal of the product, nor for any incidental or consequential damages. Some states do not allow the exclusion or limitation of incidental or consequential damages, so the above limitation may not apply to you. This warranty gives you specific legal rights. You may have additional legal rights that vary from state to state.

SpeakerCraft®

SpeakerCraft ▪ 940 Columbia Ave., Riverside, CA 92507 ▪ Phone 1-800-448-0976 ▪ Fax 888-599-9059
www.speakercraft.com

PT-1.0 Passive Terminator

The PT-1.0 provides a quick and low cost means of interconnecting SpeakerCraft Quad Mini-Plug equipped IR Receivers with other IR products in basic IR repeating systems. It includes a STATUS jack. Current sharing resistors at each Emitter jack allows any combination of single or dual emitters to be used.

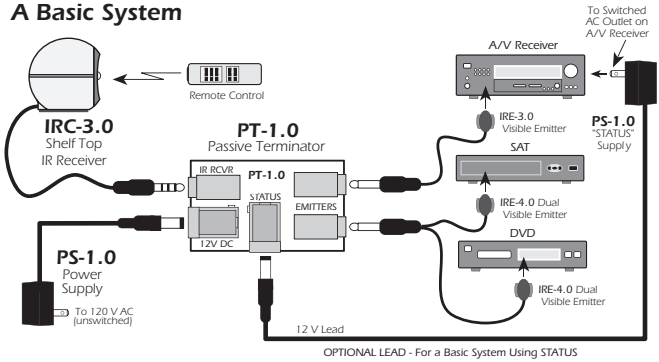


1. Plug in the IR Receiver and Emitters as shown.
Note 1: If the IRC-3.0 lead is not long enough, you can extend it's length by using the SpeakerCraft Model QIX-1.0 Quad IR 15' Extension Cable (optional).
Note 2: Since the PT-1.0 employs emitter current sharing, you may use any of the IRE-1.0 and 2.0, 3.0, or 4.0 SpeakerCraft emitters in any combination you wish.
2. Plug in the Power Supply.

3. For A Basic System Using STATUS

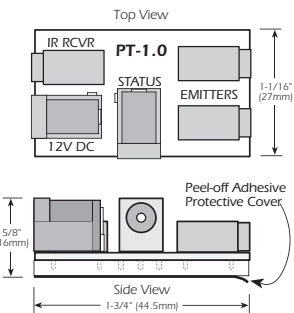
To do this, you would simply plug a PS-1.0 Power Supply into the switched AC Outlet on the rear of the A/V receiver, as shown. The 12V lead of the PS-1.0 is then plugged into the STATUS jack on the PT-1.0. In this way, the green status LED in the IR Receiver will go ON and OFF when the A/V receiver is turned ON and OFF. This gives a power indication, for instance, when the equipment is behind closed cabinet doors.

A Basic System



PT-1.0 Passive Terminator

The PT-1.0 provides a quick and low cost means of interconnecting SpeakerCraft Quad Mini-Plug equipped IR Receivers with other IR products in basic IR repeating systems. It includes a STATUS jack. Current sharing resistors at each Emitter jack allows any combination of single or dual emitters to be used.



1. Plug in the IR Receiver and Emitters as shown.
Note 1: If the IRC-3.0 lead is not long enough, you can extend it's length by using the SpeakerCraft Model QIX-1.0 Quad IR 15' Extension Cable (optional).
Note 2: Since the PT-1.0 employs emitter current sharing, you may use any of the IRE-1.0 and 2.0, 3.0, or 4.0 SpeakerCraft emitters in any combination you wish.
2. Plug in the Power Supply.

3. For A Basic System Using STATUS

To do this, you would simply plug a PS-1.0 Power Supply into the switched AC Outlet on the rear of the A/V receiver, as shown. The 12V lead of the PS-1.0 is then plugged into the STATUS jack on the PT-1.0. In this way, the green status LED in the IR Receiver will go ON and OFF when the A/V receiver is turned ON and OFF. This gives a power indication, for instance, when the equipment is behind closed cabinet doors.

A Basic System

